

TW1 Series Double Axis Joystick

Product features

- Thumb operation
- Spring return
- Uncontact hall effect



Application

Typical apply on various joysticks, and operating panel.

Technical information

Electrical data

| | |
|------------------------------------|-----------------------|
| Power supply | $5 \pm 0.5\text{Vdc}$ |
| Electrical angle | $\pm 42^\circ$ |
| Supply current (max) | 10mA |
| Center tap output voltage | $2.5 \pm 0.1\text{V}$ |
| Reverse maximum allowable voltage | -10Vdc |
| Output linearity tolerance | $< \pm 0.2\text{V}$ |
| Maximum allowable overload voltage | 35Vdc |

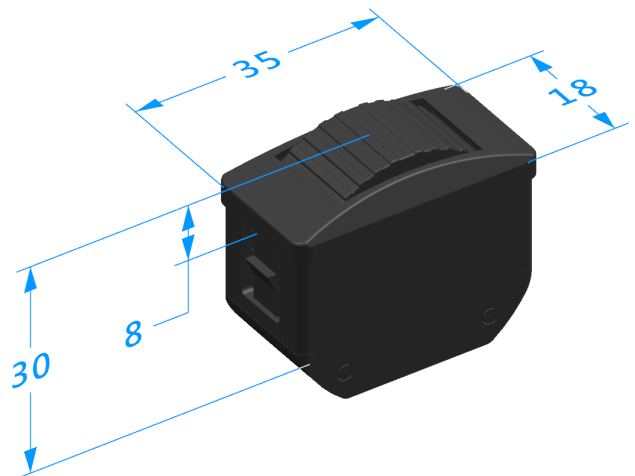
Dimensions

Mechanical features

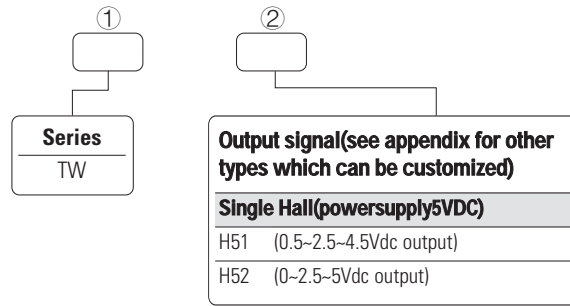
| | |
|-------------------------|----------------------|
| Travel angle | $\pm 42^\circ$ |
| Operating type | Spring return |
| Breakout force | about 2N |
| Operating force (max) | about 11N |
| Maximum allowable force | about 100N |
| Expecting life | >100 thousand cycles |
| Weight | about 15g |

Environmental data

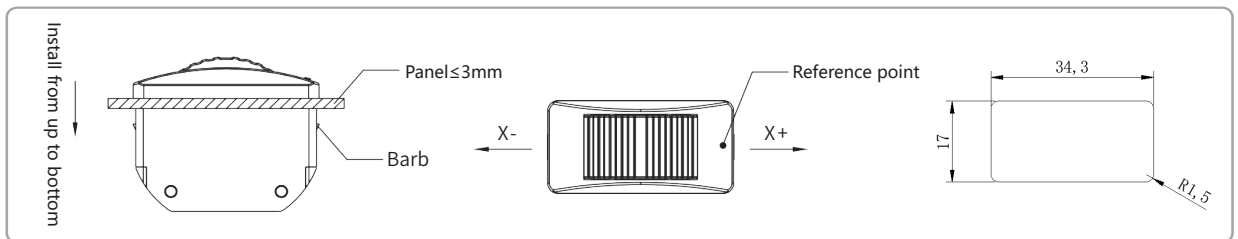
| | |
|-----------------------|---------------------------------|
| Operating temperature | -30C~+70°C |
| Storage temperature | -40°C~+85°C |
| Protection level | IP67 (Only for electronic part) |



Product configuration



Product installation



Electrical connections

| NO. | Color | Function |
|-----|-------|----------|
| 1 | Red | 5V |
| 2 | Black | 0V |
| 3 | Green | OUT |